

3400 - 3600MHz VCO

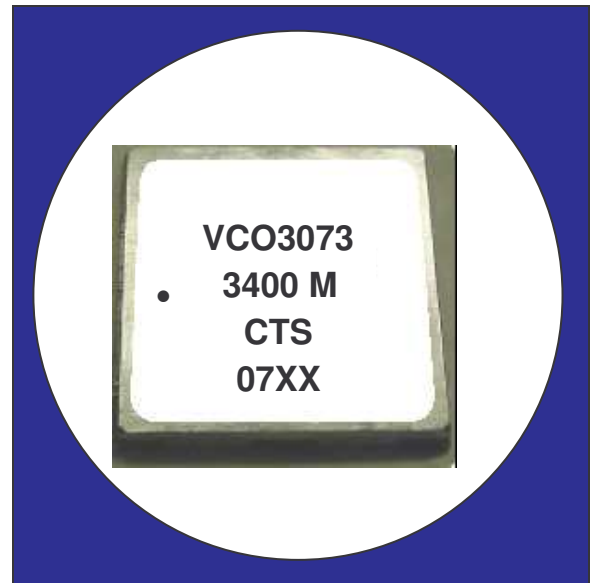
FEATURES

- Industry Standard 12.7x12.7mm SMT Footprint
- +5Vdc Supply Voltage
- -30°C to +85°C Temp. Range
- Low Phase Noise
- Tape & Reel Packaging
- Fully compliant to RoHS Directive 2002/95/EC

DESCRIPTION

The CTS VCO3073 is a high performance SMT VCO. Its low phase noise makes it the ideal choice for any wireless telecommunications system.

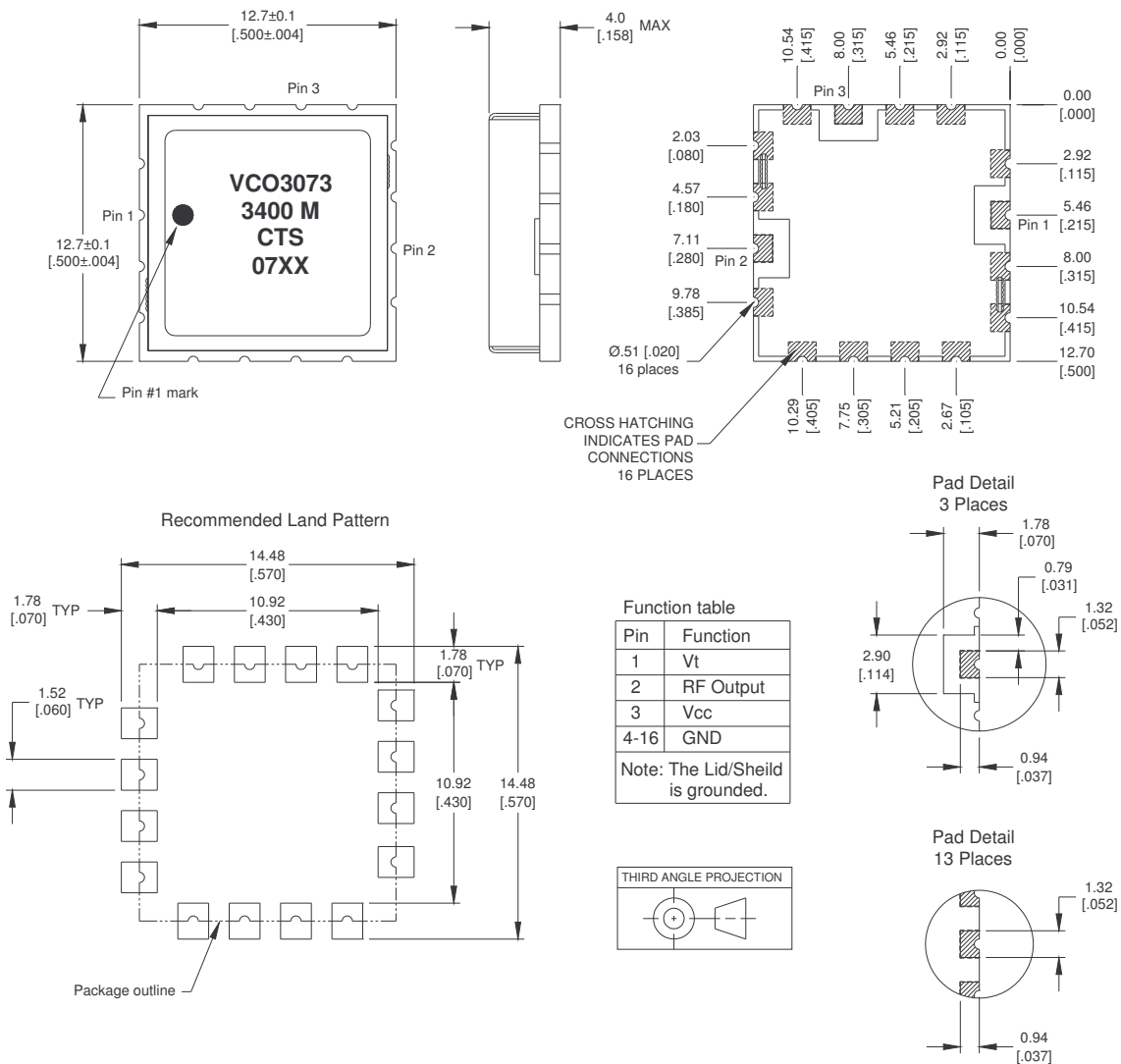
- See WWW.CTSCORP.COM for product patent status.



ELECTRICAL SPECIFICATIONS

Parameter	Conditions & Remarks	Min	Typical	Max	Unit
Operating Frequency	F _{OUT}	3400	-	3600	MHz
Supply Voltage	V _{CC}	4.75	5.0	5.25	Vdc
Supply Current	I _{CC}	-	-	35	mA
Operating Temperature Range	T _{OP}	-30	-	+85	°C
Storage Temperature Range	T _{STG}	-40	-	+125	°C
Voltage Range	V _T	0	-	6	Vdc
Tuning Sensitivity		-	65	-	MHz/V
Power Output		-3	0	+3	dBm
Harmonic suppression	(2nd and 3rd)	-	-	-10	dBc
Pushing	(5V +/- .25V)	-	5	-	MHz/V
Pulling	(1.75:1 VSWR)	-	10	-	MHz
Output Impedance		-	50	-	Ohms
Spurious response		-	-	-75	dBc
Phase Noise	10kHz	-	-86	-83	dBc/Hz
	100kHz	-	-	-105	dBc/Hz
	1000kHz	-	-129	-126	dBc/Hz

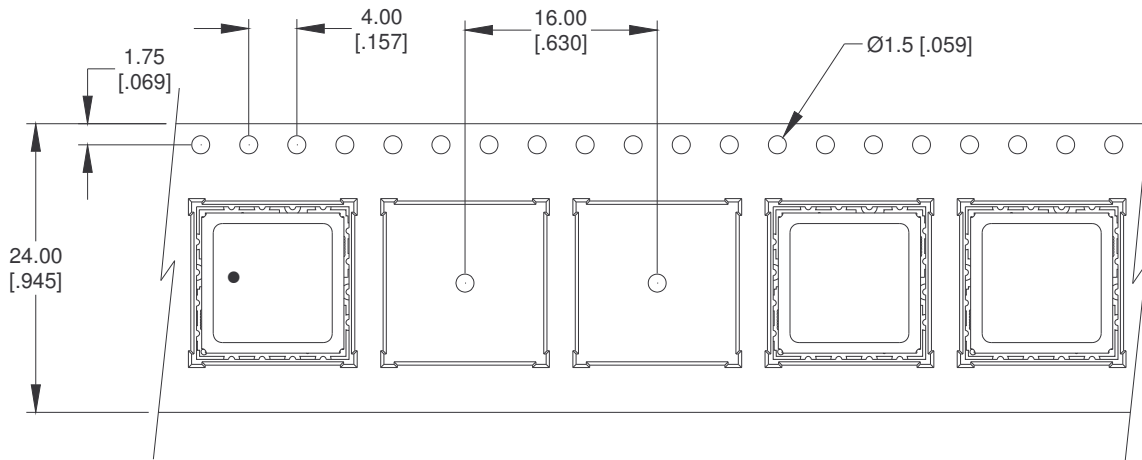
MECHANICAL SPECIFICATIONS:



All dimensions are in MM [Inches].
 All dimensions are nominal unless otherwise specified.
 Lead Termination Finish: Gold Flash, <10 micro inch, over Ni plated Cu.

Tape & Reel Information:

Tape width 24 mm, pitch 16 mm, as per EIA 481-2, 1000 units max per 330 mm reel.



All dimensions are in MM [INCHES].

All dimensions are Nominal

STANDARD ENVIRONMENTAL LIMITS:

This product is capable of operating within the following environmental conditions:

Operating Temperature: -30 to +85 °C.

Storage Temperature: -40 to +125 °C.

Humidity: 85% Relative humidity max @ 50°C.

Solder Reflow Conditions: Device is capable of withstanding reflow of 260 degrees C for 10 seconds maximum.

Atmospheric Pressure: 730 to 780 mm Hg.

Moisture Sensitivity: MSL 1

RoHS: This device is fully compliant to RoHS Directive 2002/95/EC